

LIDCO[®]

PAGE: 260 - A1

DATE: AUG - 1999

REPLACES:

INTRODUCTION

PLANT ON SASHLESS
SLIDING GLASS PANELS

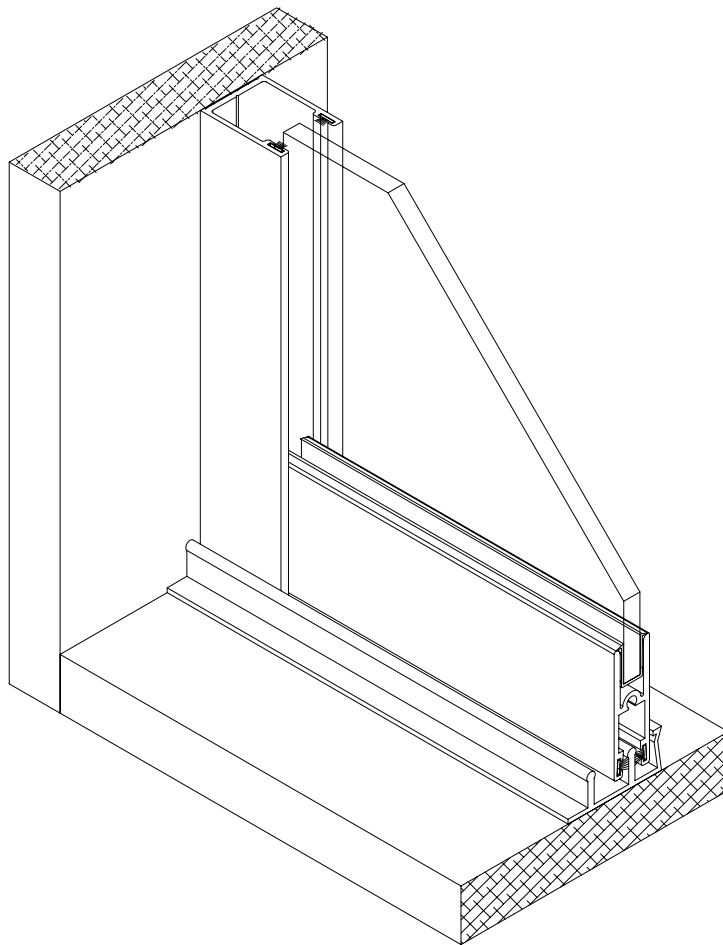
260 SYSTEM

260 SYSTEM

A PLANT ON SYSTEM TO ALLOW FOR THE INSTALLATION OF SASHLESS HORIZONTAL SLIDING GLASS PANELS INTO STEEL, TIMBER OR ALUMINIUM FRAMING.

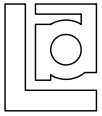
TYPICAL APPLICATIONS INCLUDE SHOWCASES, BOOKCASES, COMMUNICATION WINDOWS, RECEPTIONIST SHEILDS AND ANY OTHER SITUATIONS WHERE LIMITED SIZED NON-WEATHERPROOF SASHLESS SLIDING PANELS MAY BE REQUIRED.

DESIGNED TO ACCEPT 6mm GLASS ONLY WITH A MAXIMUM HEIGHT OF 1.2m. PANELS SHOULD NOT EXCEED 1.2 SQUARE METRES.



COPYRIGHT

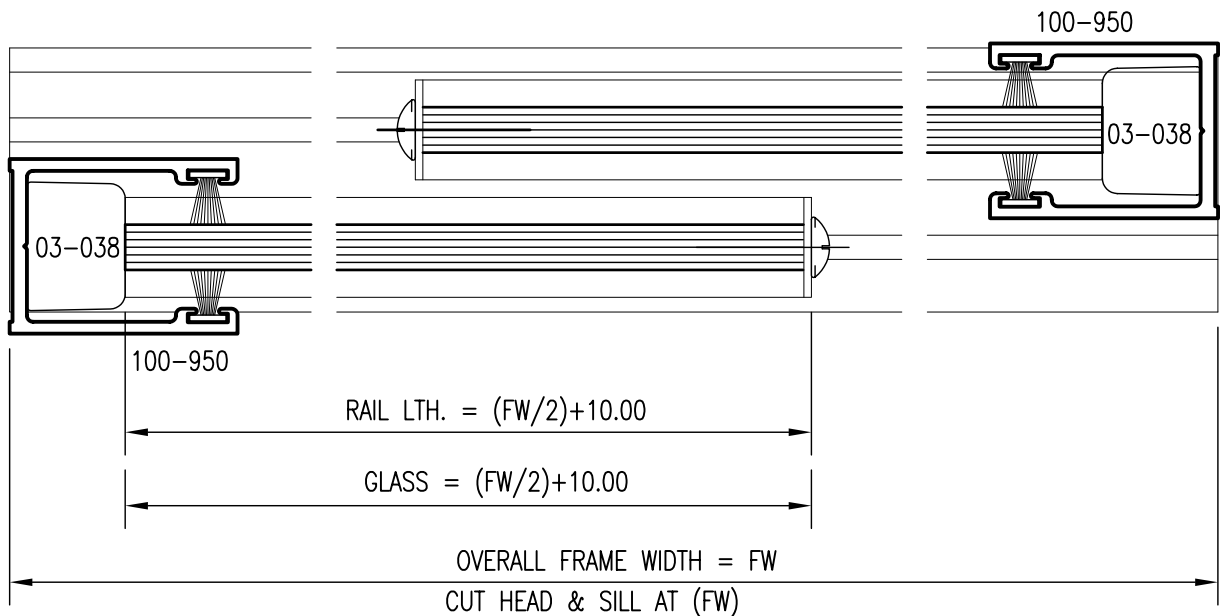
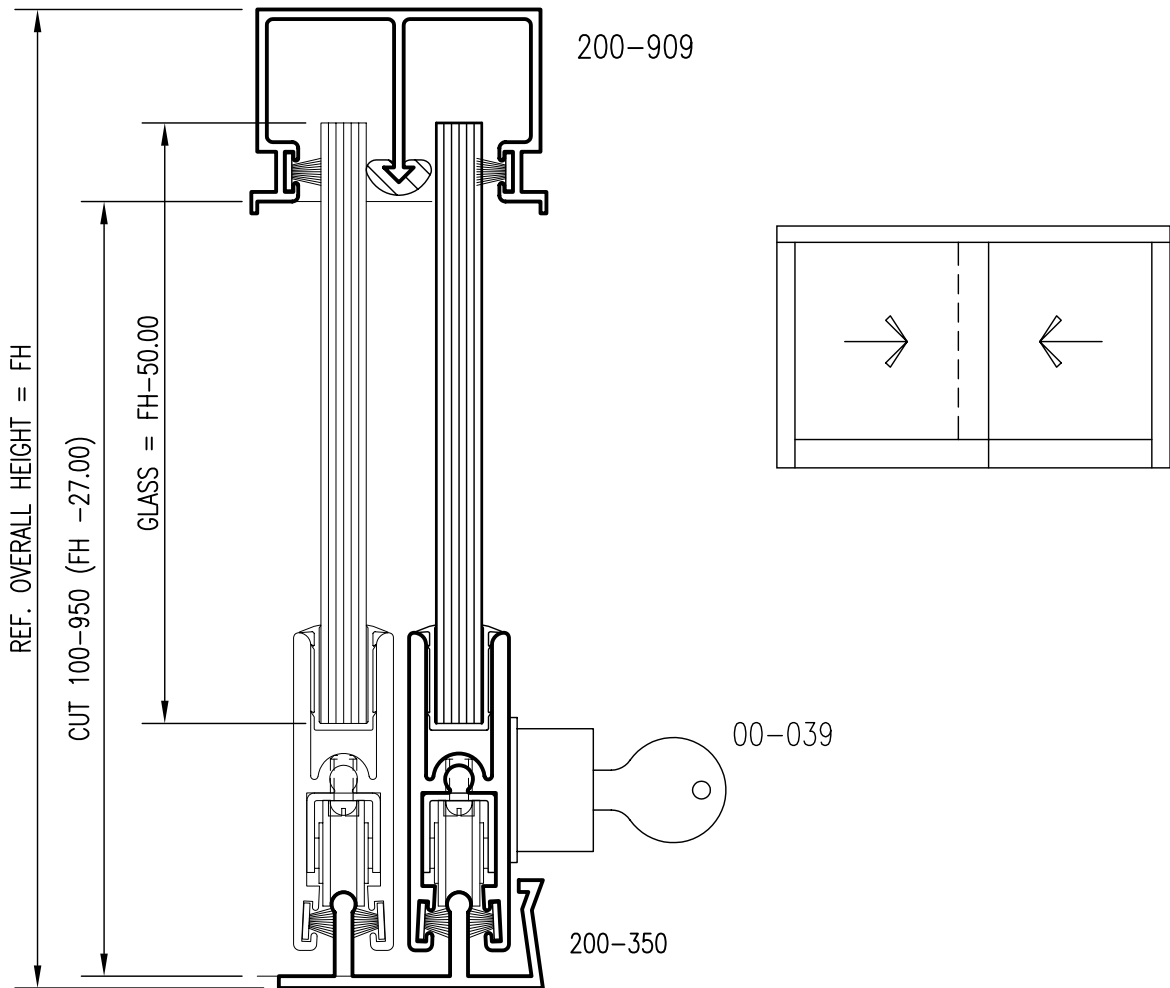
These designs, drawings and specifications and the copyright therein, are the property of LIDCO and must not be divulged to any other party, reproduced or copied wholly or in part without the written permission of LIDCO being a trading name of PAUL SEGHAERT P/L

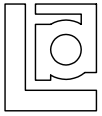


TYPICAL DETAILS

SASHLESS SLIDING GLASS PANEL

260 SYSTEM





LIDCO®

PAGE: 260 - C1

DATE: JAN - 2003

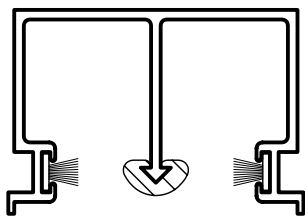
REPLACES: AUG - 1999

FULL SIZE SECTIONS

SASHLESS SLIDING
GLASS PANEL

260 SYSTEM

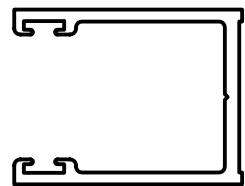
NOTE: HEAD GUIDE
SUPPLIED WITH CENTRE
PVC SEAL AND MOHAIR



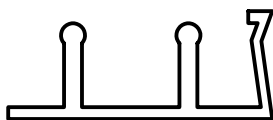
200-909
Per. 269.20



400-400
Per. 202.30



100-950
Per. 183.10

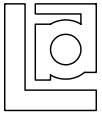


200-350
Per. 145.30

* NON STOCK ITEM MINIMUM QUANTITIES APPLY

COPYRIGHT

These designs, drawings and specifications and the copyright therein, are the property of LIDCO and must not be divulged to any other party, reproduced or copied wholly or in part without the written permission of LIDCO being a trading name of PAUL SEGAERT P/L



LIDCO®

PAGE: 260-D1

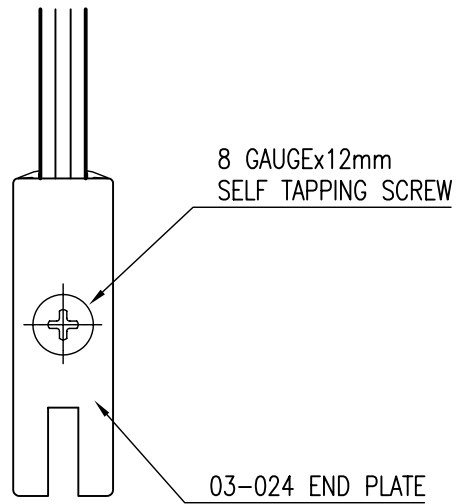
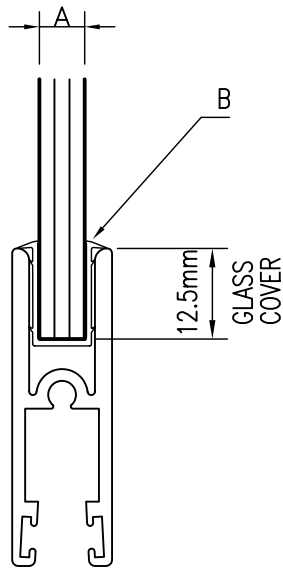
DATE: AUG - 1999

REPLACES:

GLAZING DETAILS

SASHLESS SLIDING
GLASS PANEL

260 SYSTEM



A	B	MATERIAL
6/6.38mm	04-141	PVC

THIS SYSTEM ACCEPTS 6 OR 6.38mm GLASS ONLY.

COPYRIGHT

These designs, drawings and specifications and the copyright therein, are the property of LIDCO and must not be divulged to any other party, reproduced or copied wholly or in part without the written permission of LIDCO being a trading name of PAUL SEGAERT P/L