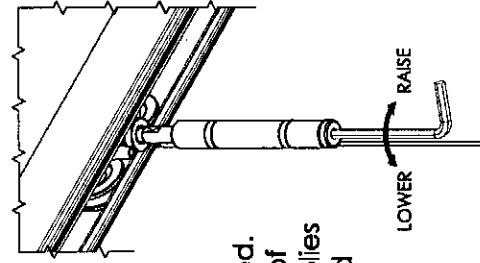
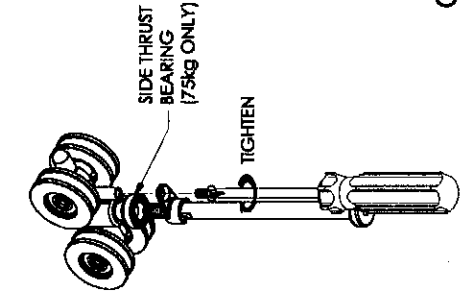


11 ADJUSTMENT



Intermediate Hanger illustrated. Same method of adjustment applies to Pivot and End Hanger.



C. With the unit still in the closed position, slide the set of leaves towards the jamb to achieve the desired gap between the jamb and the Pivot leaf.

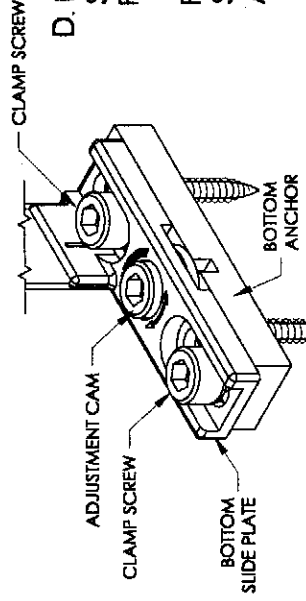
Secure the Top Pivot Block by tightening the two Locking Screws.

HEIGHT ADJUSTMENT

A. Close leaves and adjust the door height to achieve an equal gap between the top of the leaves and the track (a 7mm gap is recommended).

LOCKING

B. Once adjustment is complete, slide the Locking Clamp into position and secure with the M5 screw provided.



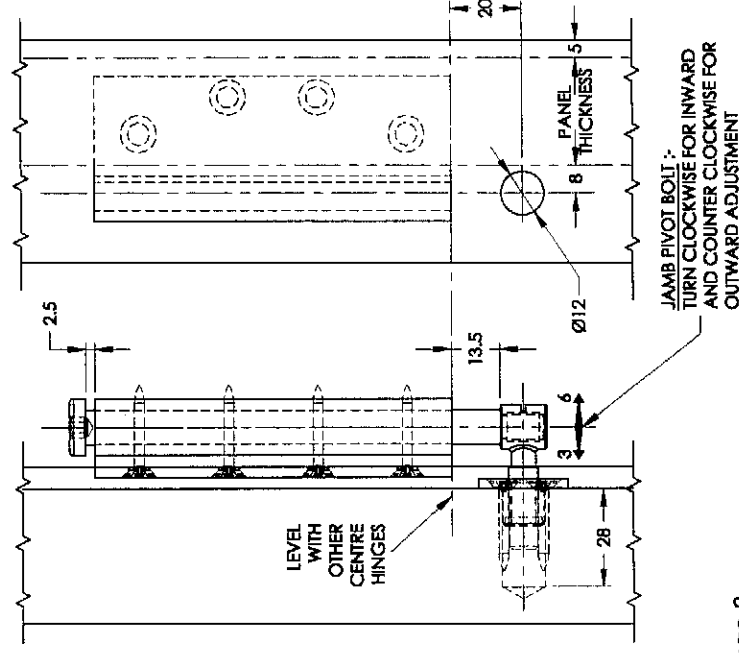
D. Replace the Bottom Pivot Bolt and tighten to Bottom Slide Plate. Mark the position of the Bottom Slide Plate.

Fold the leaves and adjust the position of the Bottom Slide Plate to the mark using the adjustment cam and Allen key provided.

Tighten the clamping screws.

12 OPTIONAL JAMB PIVOT

- Remove the hinge bolt and attach the hinge to the panel, level with the other centre hinges.
- Drill a $\varnothing 12$ hole deep into the jamb, 20 below the lower edge of the hinge and 8mm from the front surface of the door.
- Screw the anchor plate to the jamb and adjust the jamb pivot bolt so that it aligns with the hinge centre line.
- Replace the hinge bolt and tighten firmly using the Allen key supplied. Check that there is clearance between the bolt head and hinge to allow the panel to adjust automatically as required.



13 CARE AND MAINTENANCE

See Care and Maintenance label.