

APPLICATION

- ▶ Widely used in lighter commercial and industrial applications.
- ▶ To cover any width of opening, any number of doors can be used.
- ▶ To accommodate different building designs, doors can slide to one or both sides.
- ▶ Hinged door for easy access may be incorporated into a sliding door.
- ▶ Where doors are fitted externally, a canopy is recommended.

DOOR SPECIFICATION

Track System: Single Run I20

For Individual Doors:

Max Door Height 3000mm

Max Door Weight Nylon Tyre Hanger 120kg

Door Thickness 19-48mm

For ease of operation it is recommended that the door width should not exceed 75% of door height.

Timber doors for interior use can be of flush construction or glazed.

Timber doors for industrial applications should be framed, ledged and braced.

Metal doors should be constructed of box section, channel or angle framing, well braced and clad with flat or corrugated sheets.

STANDARD SETS

Sets comprise, top track, hangers, door stops, nylon guide, screws and instructions.

Set No	Max Door width	Track Length
HE3	950mm	2000mm
HE4	1450mm	3000mm
Pack Set No	HE1	

The HE1 is a pack of fittings only without track

HARDWARE SPECIFICATION

Track: 120
Material: Aluminium
Standard lengths: 2000mm, 3000mm, 4000mm and 6000mm
Aluminium track available in mill or clear anodised.

Brackets:
Face fitted Stainless Steel, angle: 1SS/250
Double face fitted bracket SS: 55S/120
Fit at 600mm maximum centres.

Hangers (2 per door):

Hangers	Full Stainless
MDF Doors – face fitting	50EN
Timber Doors – plate (surface)	57EN
Metal Doors – angle frame	56EN
Timber Door – plate (flush)	58EN

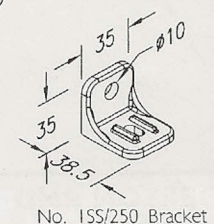
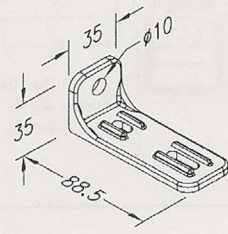
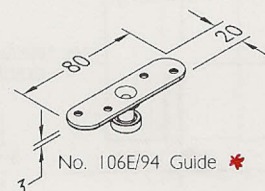
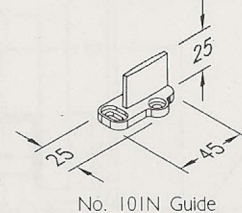
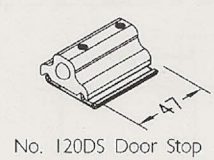
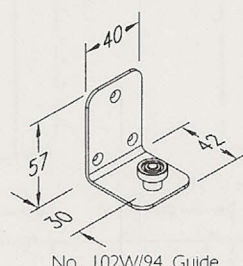
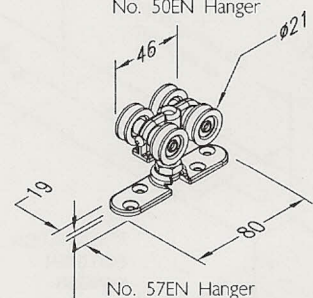
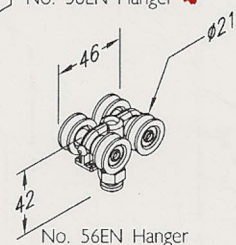
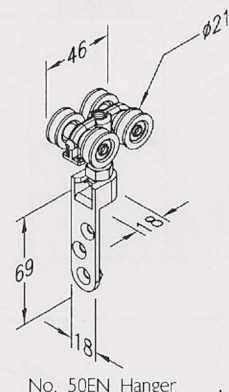
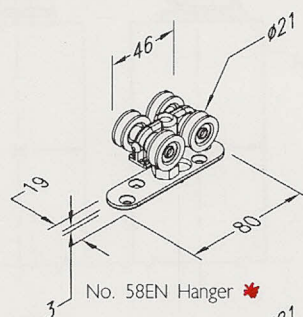
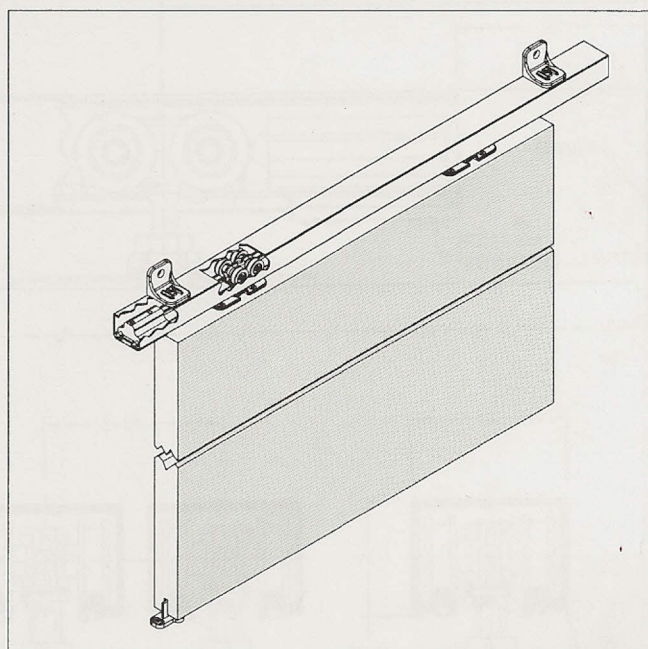
All hangers suffixed 'N' have nylon tyre wheels and are fitted with ball race bearings.
Nylon tyre wheel hangers should not be used on installations involving temperatures exceeding 80°C.

Guides:
Timber Doors – SS plate fitting: 106E/94
Metal Doors – box frame: 104PI/97
Timber Doors – nylon guide: 101N
Multiple Doors: 102W/94

Channels:
94A Aluminium
94B Brass
94PPA Aluminium & Polypropylene

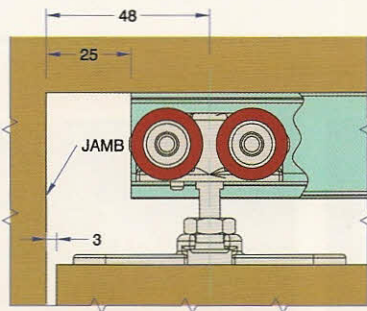
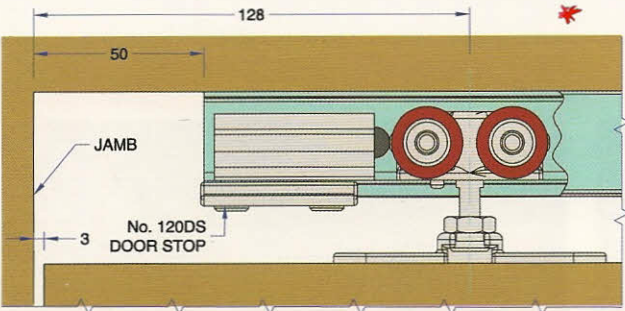
Standard lengths: 94A, 94B and 94PPA: 2000mm, 3000mm, 4000mm and 6000mm

Accessories: Bow Handles, Flush Pulls, Surface Bolts, Flush Bolts, Door Stops.



Single Run 120

FOR TOP HUNG STRAIGHT SLIDING DOORS, MAX. 120kg EACH



TRACK FIXING CENTRES
20mm FROM EACH END
500mm MAXIMUM

