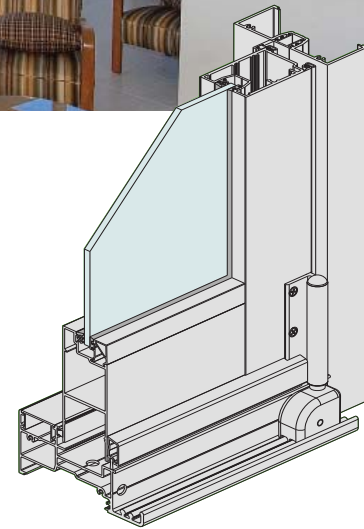




DESIGN FEATURES

- Series 410 Bi-fold door is an exceptionally strong bi-fold system designed to accept the heavy duty AWS Series 50, 51 and 52 doors.
- Due to its strength this system can accommodate compliant bi-fold panels up to 3000mm high.
- Rebated door stiles are incorporated to give a flush appearance when the two doors meet and provide superior weather protection eliminating the need for unsightly applied rebates.
- A specially designed lock keeper is concealed within the cavity on the leading edge of the inactive door. This eliminates the need for holes to be milled in the aluminium for the latch and lock bolt, giving a cleaner appearance.
- The concealed keeper and recessed stile make compromising the latch and bolt for forced entry more difficult - improved security.
- A variety of lever & lock options are available including proprietary multi-point and lever compression locking for added security.
- Successfully tested for water resistance at 450Pa.
- Seamless door panel construction conceals the assembly joint giving a clean aesthetic appearance.
- Can be configured to incorporate single or double entry doors so access can be achieved without opening the whole unit.
- Custom door co-extruded Santoprene bulb seal for maximum weather performance.
- Door panels are supported on quad rollers running on heavy duty dual bottom rails.
- As the doors are supported at the sill (sill rollers) we can fit over lights. Over lights can be fixed glass or opening sashes.
- Bi-fold panels can be secured with key operated twin bolts.



Maximum Panel Height	3000mm
Maximum Panel Width	1000mm
Maximum Glass Thickness	≤ 25mm

Subject to individual site conditions. Contact AWS Technical Support for more information.



WERS RATED PRODUCT



ENHANCED ACOUSTIC PERFORMANCE



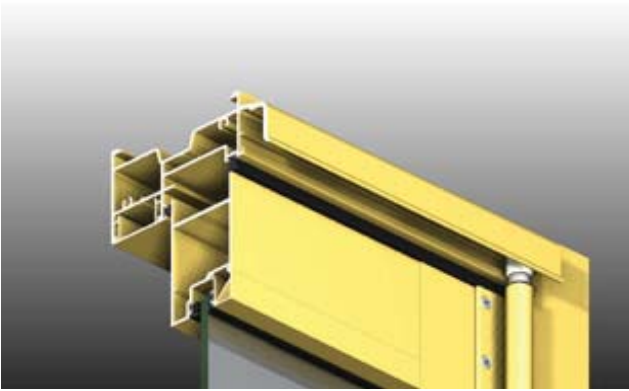
3D & 2D CAD FILES AVAILABLE



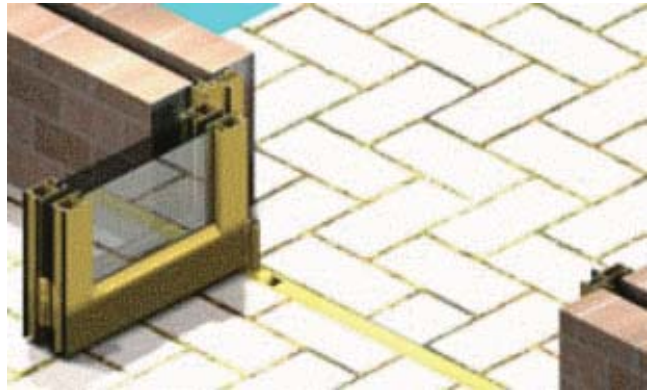
PRODUCT INFORMATION AVAILABLE AT
WWW.AWSCOMMERCIAL.COM.AU



SPECIFIER ASSISTANCE AVAILABLE



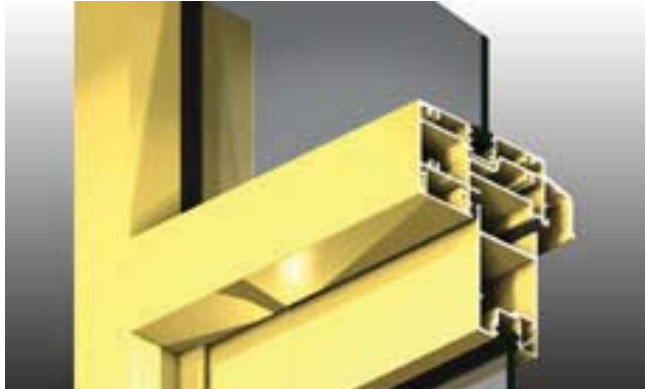
The dedicated head section is double sealed to doors for maximum water resistance. The top roller guide channel doubles as a drip hood to protect the top of the doors.



For commercial projects (restaurants etc.) we offer a fully recessed floor track.



Doors are supported on bottom rollers. We don't rely on the building lintel to support the panel weight. Large panels will be heavy.



With doors running on bottom rollers we can fit fixed or opening overlights.



The above picture shows the ANDO™ bolt activator that can be used to secure the bi-fold panels in the closed position. This hardware can be coloured to match the main frame, also available in 316 marine grade stainless steel.



2D & 3D CAD FILES AVAILABLE
GO TO: www.awscommercial.com.au > CAD
& Revit 3D Files
CAD file: *DWG or DXF AWS_410_50_1*



MORE INFORMATION
For the latest updates regarding
this product visit our web site
www.awscommercial.com.au