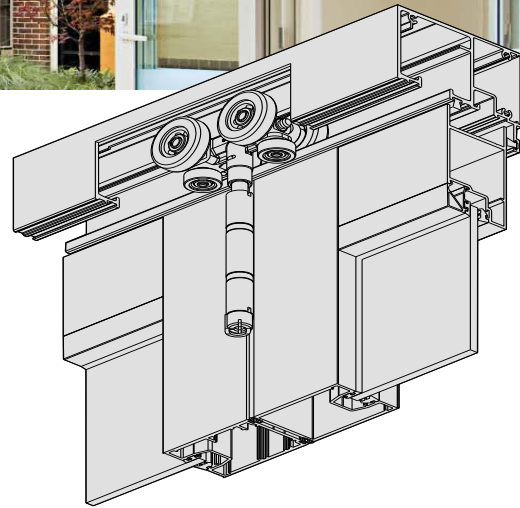




DESIGN FEATURES

- Series 411 top hung Bi-fold door has been designed to accept the 50mm thick heavy duty Series 50 and 52 doors
- AWS 50mm thick doors are approx. 70% stronger than conventional 45mm thick doors. Enabling Bi-fold doors to be manufactured with compliant panels up to 3000mm high.
- Series 411 Bi-fold doors are hung on Centor™ twin stainless steel bearing rollers running in heavy duty dual overhead tracks.
- The standard E2 rollers will carry door panels up to 40Kg Heavy duty E3 will carry door panels up to 80Kg.
- The Surelock™ adjustment on the pivots and carriers allow all panels to be lifted or lowered easily with a flat screwdriver. As the structure settles the doors can be adjusted to suit - 5mm plus and minus vertical adjustment.
- Top carriers are fitted with side-thrust roller/s. This protects the main load bearing rollers from damage and inside scraping, ensuring silent smooth rolling action.
- Large diameter, side thrust sill rollers complete the package and as with top carriers have 5mm plus and minus vertical adjustment.
- Carriers, pivots, hinges and fixings supplied in 304 SS.
- Seamless type door panel construction (rails nest into stiles) to conceal the assembly joint.
- Snap on jamb adaptor accommodates an extensive range of jambs to cover almost any situation.
- A variety of lever & lock options are available including multi-point locking for added security.
- Successfully tested to resist 450Pa water and suitable for air-conditioned buildings when weather resisting sill is used.
- Can be configured to incorporate single or double entry doors so access can be achieved without opening the whole unit.



Maximum Panel Height	3000mm
Maximum Panel Width	1000mm
Maximum Glass Thickness	≤ 25mm

Subject to individual site conditions. Contact AWS Technical Support for more information.



WERS RATED PRODUCT



ENHANCED ACOUSTIC PERFORMANCE



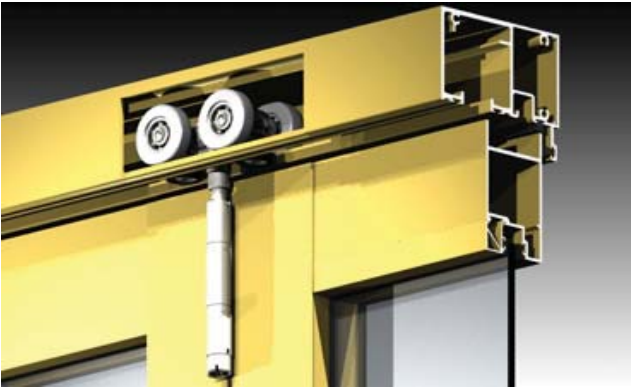
3D & 2D CAD FILES AVAILABLE



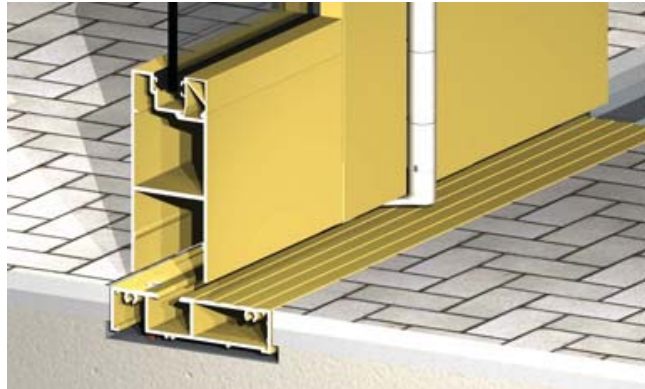
PRODUCT INFORMATION AVAILABLE AT
WWW.AWSCOMMERCIAL.COM.AU



SPECIFIER ASSISTANCE AVAILABLE



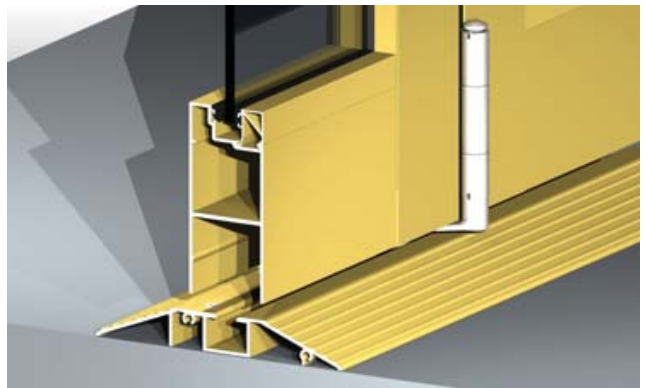
Fitted with Centor™ heavy duty stainless steel hinges and rollers.



Variety of sill options including the fully recess sill.



Weather resisting sill detail shown.



Designed for commercial applications where you can't cut the recessed sill into the floor.



The above picture shows the ANDO™ bolt activator than can be used to secure the bi-fold panels in the closed position. This hardware can be coloured to match the main frame, also available in 316 marine grade stainless steel to match the stainless steel roller gear.



2D & 3D CAD FILES AVAILABLE
GO TO: www.awscommercial.com.au > CAD
& Revit 3D Files
CAD file: *DWG or DXF AWS_411_50_1*



MORE INFORMATION
For the latest updates regarding this product visit our web site
www.awscommercial.com.au