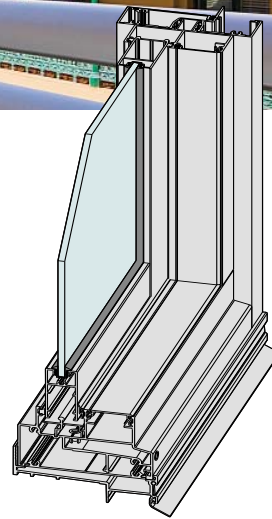




DESIGN FEATURES

- This 102mm thick commercial grade sliding window has been designed with bold frame lines and thick (strong) sashes that can carry thick heavy glass including double glazing.
- The perimeter frame has been designed to make installation into brick veneer and cavity brick easier with built-in nailing fins (weather bars). The sub-sill that comes with this window also has a built-in nailing fin.
- The extra strong sashes allow large sash windows to be fabricated for high wind load areas.
- Double sash design with the external sash fixed.
- Both fixed and opening sashes can be installed, replaced and/or reglazed from inside the building. This could be an important feature in elevated situations.
- Large variety of window combinations possible (SF, FS, SFS, SS or FSSF) with and without highlights and or lowlights.
- 102mm x 44mm head and sill, 102mm x 30mm jamb, 44mm mullion and 44mm transoms match.
- Sliders can be fitted with surface or mortice deadlocks.
- Sashes run on heavy duty wheel carriages.
- Flyscreens can be fitted - fly screen frames (25 x 11) fit into window using custom frame trims to accept the screen.
- When there is no requirement for flyscreens frame is fitted with cavity closers so there are no unwanted recesses to catch dust or water.
- Co-extruded PVC sill seal keeps water out of the system.
- Built-in proprietary ball valve drainage to transfer any water that may get into the drainage trough to the tubular sump sill, this valve also reduces blow-back through the hooded external drainage holes.
- Will resist up to 300Pa water infiltration and comply with air conditioning requirements.



Maximum Panel Height	1600mm
Maximum Panel Width	1350mm
Maximum Glass Thickness	≤ 20mm

Subject to individual site conditions. Contact AWS Technical Support for more information.



WERS RATED PRODUCT



ENHANCED ACOUSTIC PERFORMANCE



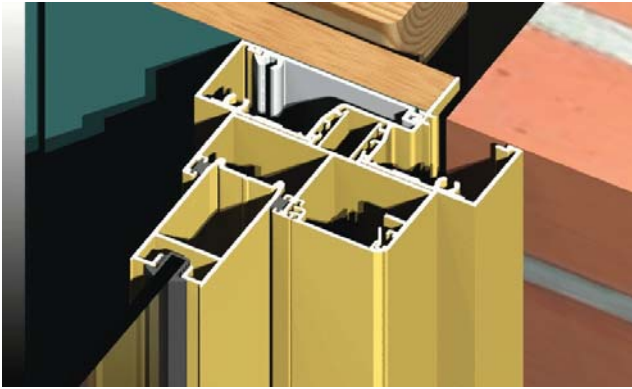
3D & 2D CAD FILES AVAILABLE



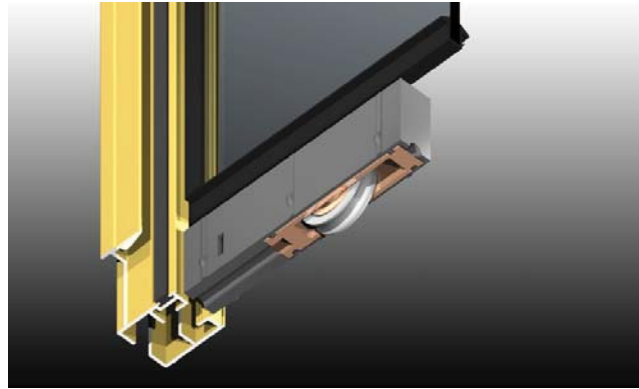
PRODUCT INFORMATION AVAILABLE AT WWW.AWSCOMMERCIAL.COM.AU



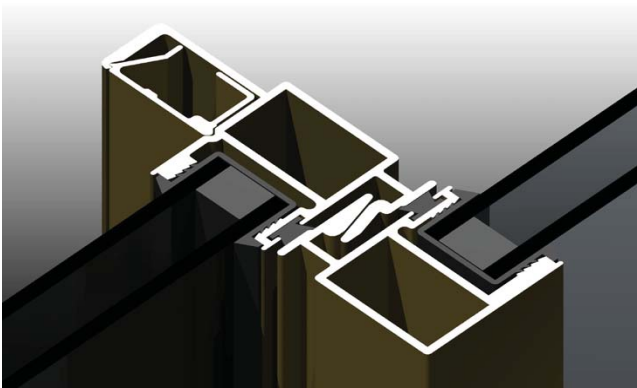
SPECIFIER ASSISTANCE AVAILABLE



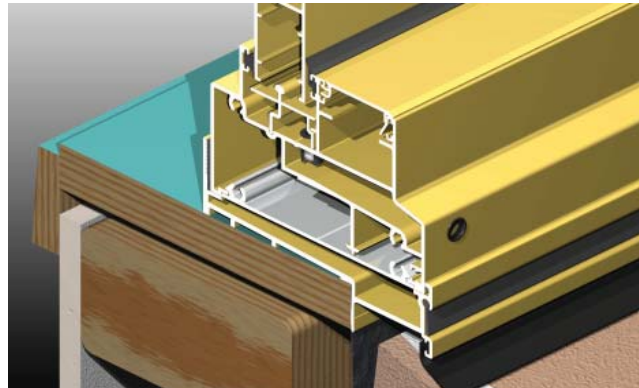
A major feature with Series 462 is the frame with in-built nailing fin (weatherbar). This makes installation into cavity brick with height adjustable building-in lugs and into brick veneer walls with timber reveals as shown above possible. The standard jamb is 102 x 30mm as shown above, we also offer 102 x 44mm jamb and again with the nailing fin feature. Nailing fins may not sound that important but this built-in weatherbar is what stops water traveling from the outer brick skin to the inner wall.



Sliding panels are supported on heavy duty large diameter, ball bearing, nylon tyred wheels. The wheel height can be adjusted to allow panels to be squared up. For heavier double glazed panels we can use double bogey wheels.



The 26mm thick panels used in Series 462 will accept a variety of glass thicknesses from 4mm to 20mm. The illustration above shows 16mm Insulating Glass Unit. The meeting stile illustrates the double seals used throughout Series 462, this is one of the reasons why the window performs so well.



Sub-sills are standard on Series 462. The sub-sill has several significant features:

- Full flashing tray guides any water that gets into the window back to the outside.
- Our custom sub-sill designed for cavity brick and brick veneer construction has built-in nailing fin to allow sill timber reveal fixing.
- The PVC flap on the outer edge of the sub-sill caters for stud wall settlement on brick veneer construction.
- Sub-sill fitted with co-extruded Santoprene drain hole cover flap to prevent blow back under extreme situations.
- Sub-sill is also stop ended to guide water back to the front.



2D & 3D CAD FILES AVAILABLE
GO TO: www.awscommercial.com.au >
CAD & Revit 3D Files
CAD file: *DWG or DXF AWS_462_1*



MORE INFORMATION
For the latest updates regarding this product visit our web site www.awscommercial.com.au