

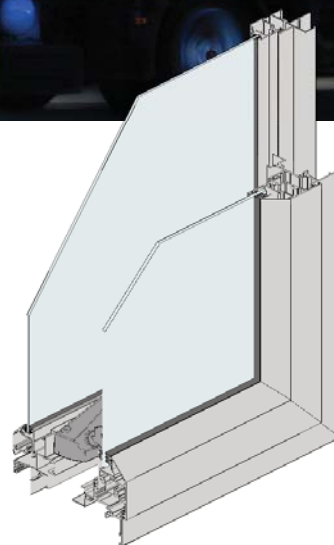


Series 532 SoundOUT™ Casement



DESIGN FEATURES

- The Vantage Series 532 Secondary Glazed Casement system has been designed to dramatically reduce noise infiltration when installed behind existing or new windows. Product has been tested at the National Acoustic Laboratories, Chatswood, N.S.W.
- SoundOUT™ casement sashes can be glazed with glass up to 10.38mm thick and are supported on heavy duty stainless steel stays. We achieved sound reduction results up to 50dB(A). These numbers would in most cases be better than the wall the window was being installed into.
- An added feature of this product is the creation of a thermally broken double glazed window that will significantly reduce heating and cooling costs.
- The dual durometer seal fitted to SoundOUT™ casements is made up of a soft Santoprene seal welded to a hard backing material that slides into a retention groove in the extrusion. This hard backing prevents shrinkage which would result in gaps. SoundOUT™ Sashes are double sealed to the frame with this dual durometer seal to maximises the airtightness (soundproofing) of this critical joint.
- Glass is separated from the sash and glazing bead with soft wedges to reduce sound transfer and glass vibration. The sash leg dual durometer Santoprene seal is captive to simplify glazing and reduce the chance of shrinkage.



Maximum Panel Height	Various
Maximum Panel Width	Various
Maximum Glass Thickness	≤ 20mm

Subject to individual site conditions. Contact AWS Technical Support for more information.



ENHANCED ACOUSTIC PERFORMANCE



3D & 2D CAD FILES AVAILABLE

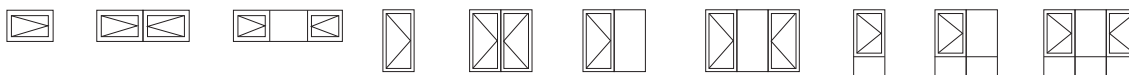


PRODUCT INFORMATION AVAILABLE AT
WWW.VANTAGEALUMINIUM.COM.AU



SPECIFIER ASSISTANCE AVAILABLE

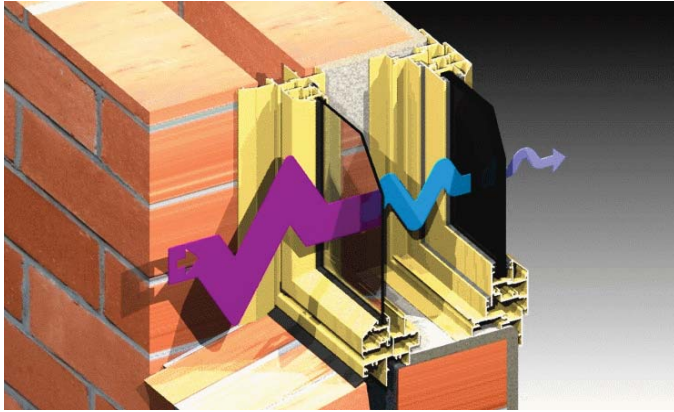
TYPICAL CONFIGURATIONS



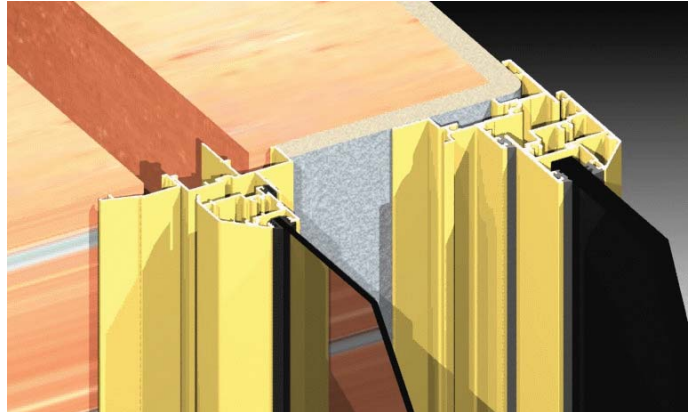


Series 532 SoundOUT™ Casement

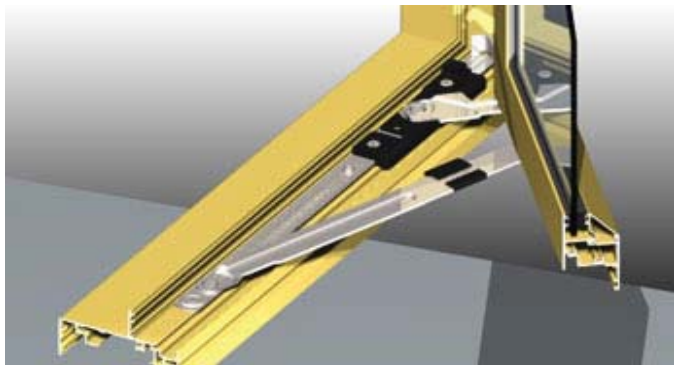
01.09



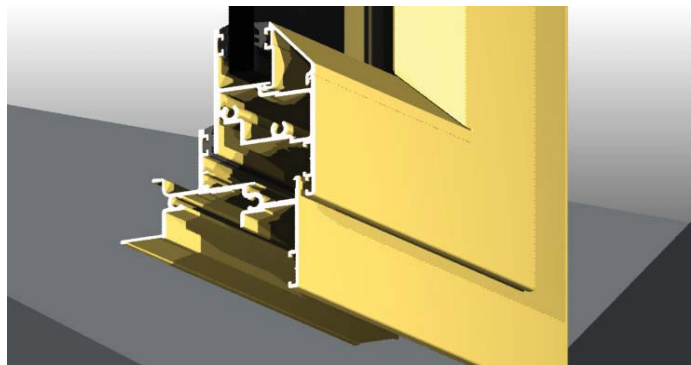
For serious sound reduction use Vantage SoundOUT™. In some cases the SoundOUT™ window may perform better than the wall it's being built into.



The SoundOUT™ frame nests onto the wall as detailed above.



Stainless steel casement stays used on Series 532 are designed to accept heavy casement sashes with ride up nylon wedges to assist when closing and opening the sash.



The stepped frame on Series 532 allows the frame to nest onto the internal wall linings and conceal the joint between window and wall. The heavy duty sash used in Series 532 can be fitted with a variety of glazing beads – splayed as drawn or square.



2D & 3D CAD FILES AVAILABLE

GO TO: www.vantagealuminium.com.au >

CAD & Revit 3D Files

CAD file: DWG or DXF VAN_532



MORE INFORMATION

For the latest updates regarding this product visit our website

www.vantagealuminium.com.au