

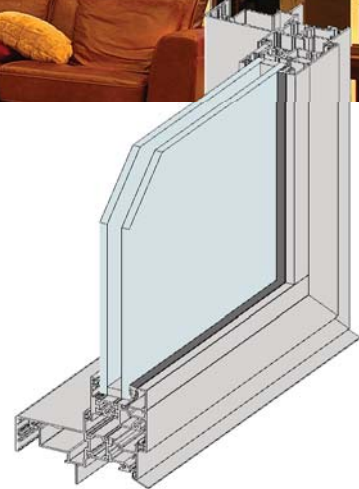


Series 726 Thermally Broken Awning Window



DESIGN FEATURES

- Thermal HEART™ windows and door frames have been designed in Australia to suit our building-in conditions. Nailing fins (weather bars), building-in lugs and the PVC sill flap are all designed in to make it easier for your builder. Many imported windows have been designed for overseas conditions and don't necessarily suit Australia.
- Series 726 incorporates Thermal HEART™ technology giving a true wide thermal break between the outside and inside faces. WERS (Window Energy Rating System) data shows that using the same IGU in a Thermal HEART™ awning window is 32% more efficient than a standard non-thermally broken window.
- A major advantage with Thermal HEART™ in cold climates is the reduction in internal condensation.
- Thermal HEART™ is also suitable for hot climates providing extra insulation to reduce requirements for home cooling.
- We offer Thermal HEART™ in a range of stocked colours including dual colour ClearMIST™ contact your local Vantage fabricator for details.
- The extra strong sash allows large sash windows to be fabricated for high wind load areas.
- The bold clean frame gives a contemporary appearance with sharp square external glazing beads are standard.
- Awning sashes can be fitted with cam handles, manual chain winders or concealed electric winders. The winder options suit fixed fly screen installation.
- The window is compatible (appearance, strength and performance) with the high performance Thermal HEART™ hinged, sliding and bi-fold doors.



Maximum Panel Height	1800mm
Maximum Panel Width	1300mm
Maximum Glass Thickness	≤ 32mm

Subject to individual site conditions. Contact AWS Technical Support for more information.



WERS RATED PRODUCT



ENHANCED ACOUSTIC PERFORMANCE



3D & 2D CAD FILES AVAILABLE

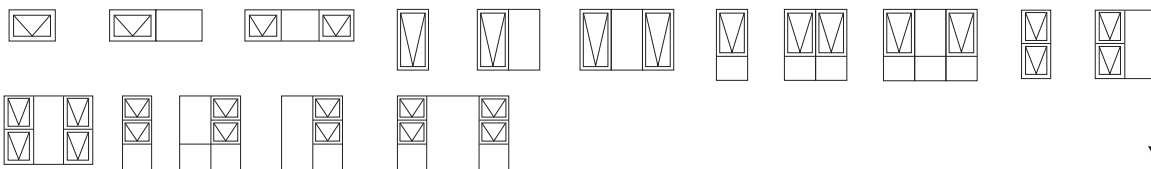


PRODUCT INFORMATION AVAILABLE AT
WWW.VANTAGEALUMINIUM.COM.AU



SPECIFIER ASSISTANCE AVAILABLE

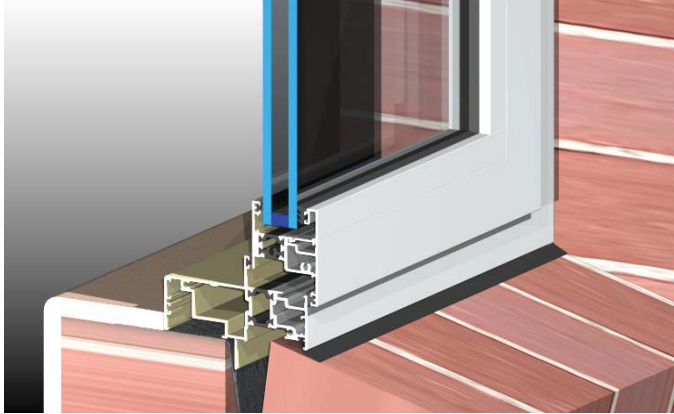
TYPICAL CONFIGURATIONS



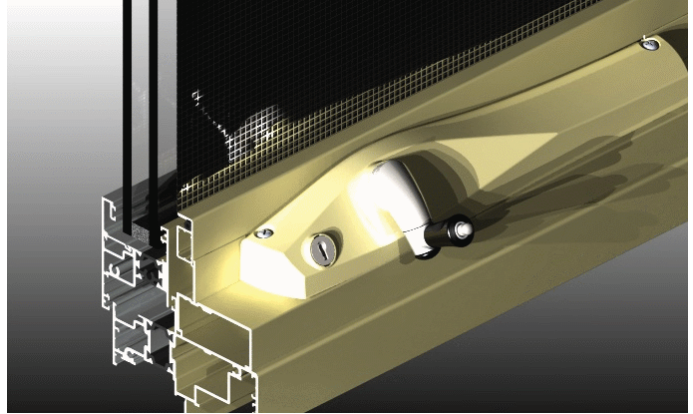


Series 726 Thermally Broken Awning Window

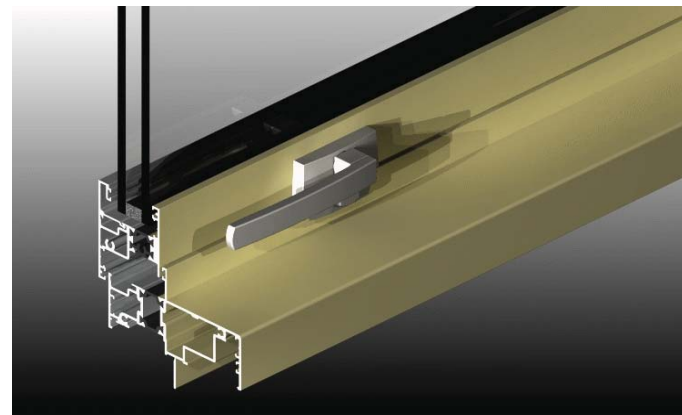
01.09



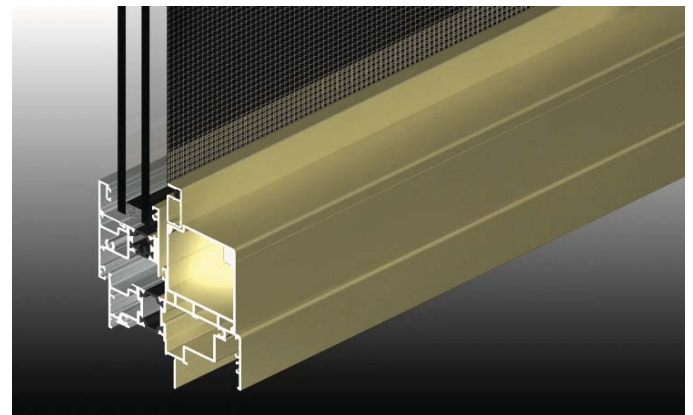
Double glazing is used as standard to obtain maximum thermal performance. When combined Thermal HEART™ units incorporating double glazing perform 32% better than standard non thermally broken double glazed windows using the same glass type.



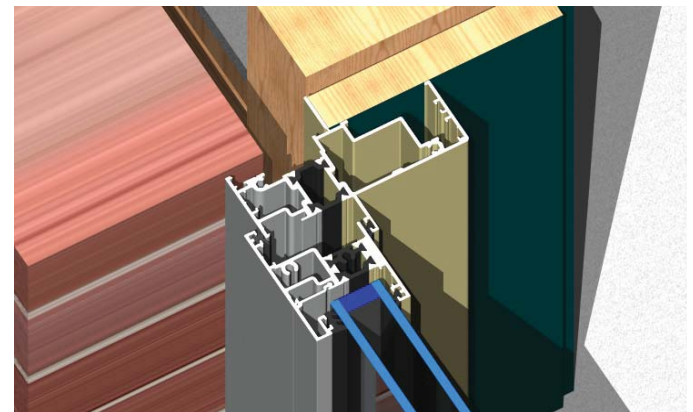
The winder handle can be folded back out of the way to clear curtains and blinds and can be keyed to match other Vantage window locks. The Polesium™ cover and base on this winder along with the stainless steel chain are designed for corrosion resistance and ideal for exposed locations. 10 Year manufacturers warranty.



ICON™ furniture in 316 marine grade stainless steel available.



Awning sashes can be opened and closed with optional concealed electric winders. The window box will also accept fly screens as shown above.



The illustration above shows the Thermal HEART™ frame installed into brick veneer construction. This frame has been designed in Australia to suit local building-in conditions.



2D & 3D CAD FILES AVAILABLE

GO TO: www.vantagealuminium.com.au >
CAD & Revit 3D Files
CAD file: DWG or DXF VAN_726



MORE INFORMATION

For the latest updates regarding this product visit our web site www.vantagealuminium.com.au

